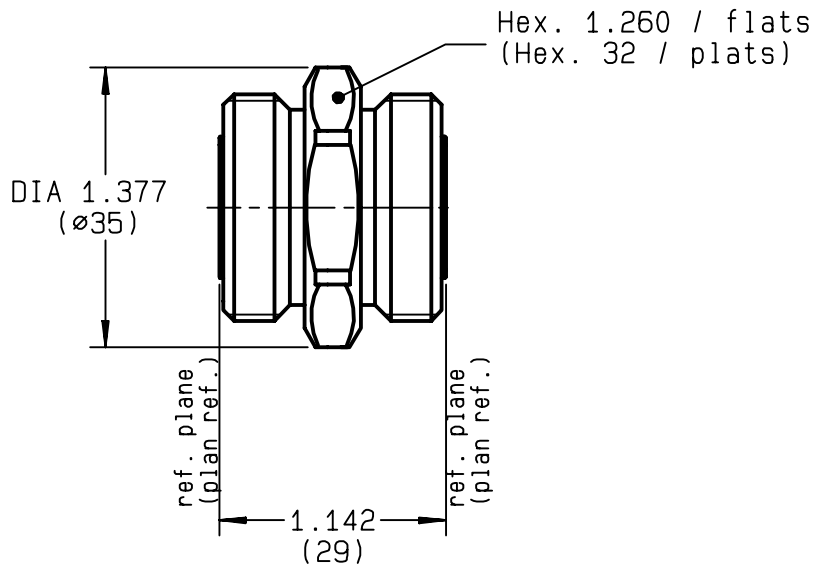


FEMALE-FEMALE ADAPTOR

R185.705.000

SERIES

7-16



NOMINAL IMPEDANCE	50 Ω	CABLES :	
FREQUENCY RANGE	0-7.5 GHz		
TEMPERATURE RATING	-55/+155 °C		
V.S.W.R	1.15 + x F(GHz)Maxi		
RF INSERTION LOSS	0.03 √F(GHz) dB Maxi		
VOLTAGE RATING	1400 Veff Maxi		
DIELECTRIC WITHSTANDING VOLTAGE	4000 Veff Mini		
INSULATION RESISTANCE	10000 MΩMini		
HERMETIC SEAL	NA Atm.cm ³ /s		
LEAKAGE (pressurized only)	NA		
MECHANICAL DURABILITY	500 Cycles	OTHERS CHARACTERISTICS	
WEIGHT	91 gr	CABLE RETENTION	NA N Mini
SPECIFICATION		CENTER CONTACT RETENTION	
		Axial force - mating end	200 N Mini
		Axial force - opposite end	200 N Mini
		Torque	NA cm.N Mini
		RECOMMENDED TORQUES	
		Mating	NA cm.N
		Panel nut	NA cm.N
		Clamp nut	NA cm.N

CONNECTOR PARTS	MATERIALS	FINISH	(all values are given) in micrometers
BODY	BRASS	SILVER 5 PASSIVATED OVER COPPER	0.5
OUTER CONTACT	BRASS	SILVER 5 PASSIVATED OVER COPPER	0.5
CENTER CONTACT	BERYLLIUM COPPER	SILVER 5 PASSIVATED OVER COPPER	0.5
INSULATOR	PTFE	-	
GASKET		-	
OTHERS PIECES			

ISSUE
9944D00

CREATION DATE
18/05/1994

FILE PART-NUMBER
DM-9901-001



RADIALL®

BONOMINI

The information given here is subject to change without notice.
Design changes may be in order to improve the product .

Connect to the future